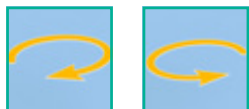
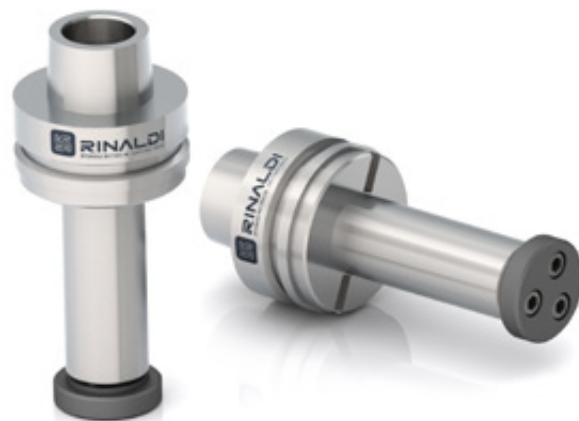


AAP

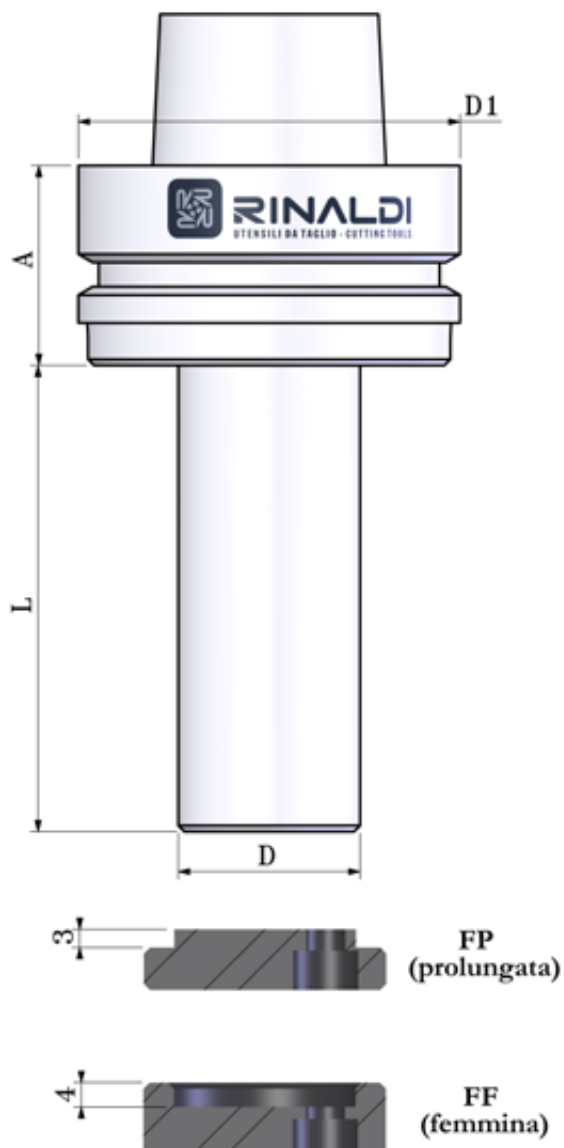
Portafrese cono HSK tipo "F" - "E"

Cutter arbors HSK type "F" and "E"

Fräsdorn HSK Typ "F" und "E"



CODICE	CONO	A	D	D1	L	Flangia
AAP-30100FF	HSK63-F	33	30	63	100	FF
AAP-30100FP	HSK63-F	33	30	63	100	FP
AAP-40100FF	HSK63-F	33	40	63	100	FF
AAP-40100FP	HSK63-F	33	40	63	100	FP
AAP-30080FF	HSK63-F	42	30	63	80	FF
AAP-30080FP	HSK63-F	42	30	63	80	FP
AAP-30100FF	HSK63-E	42	30	63	100	FF

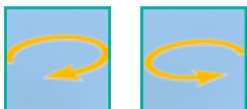


AAP

Portafrese cono HSK85

Cutter arbors HSK85

Fräsdorn HSK85



CODICE	CONO	A	D	D1	L	Flangia
AAP-40100FP	HSK85	58	40	85	100	FP
AAP-40180FP	HSK85	58	40	85	180	FP
AAP-40240FP	HSK85	58	40	85	240	FP

