

APF

Portautensili cono HSK tipo "F" ER16

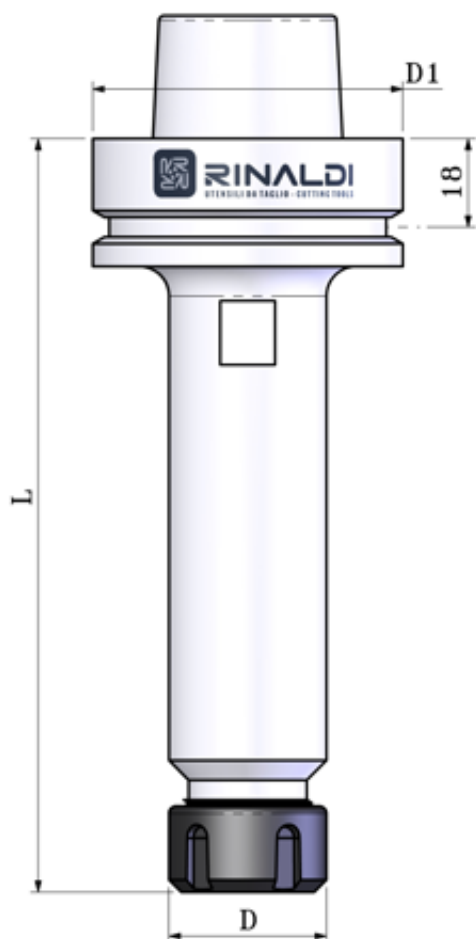
G2.5 36.000 g/min

Collet chucks HSK type "F" ER16-G2.5 36.000 g/min

Spannzangenfutter HSK Typ "F" ER16-G2.5 36.000 g/min



CODICE	L	D	D1	Rot	Pinze	Ghiera	CONO
APF-15032	150	32	63	RH	ø2..ø10 (art. PER16 ER16)	art. GER16 ER16	HSK-63-F



APF

Portautensili cono HSK tipo "F" ER32

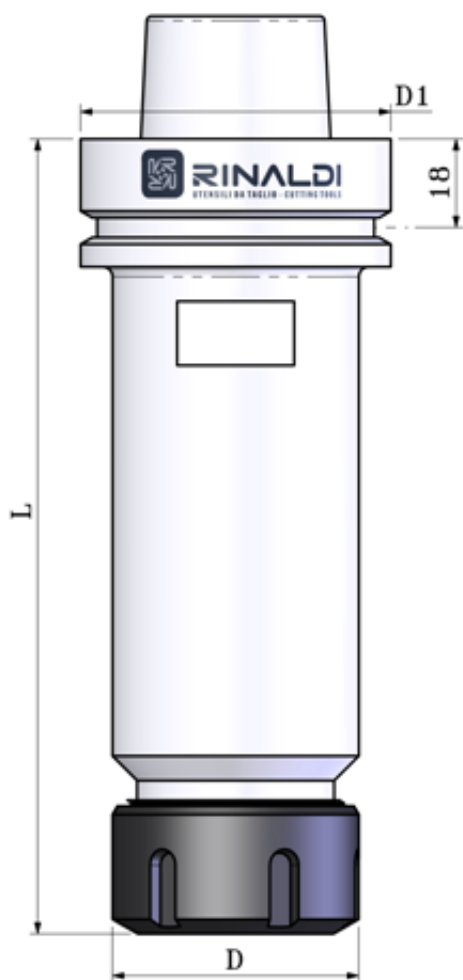
G2.5 36.000 g/min

Collet chucks HSK type "F" ER32-G2.5 36.000 g/min

Spannzangenfutter HSK Typ "F" ER32-G2.5 36.000 g/min



CODICE	L	D	D1	Rot	Pinze	Ghiera	CONO
APF-12550	125	50	63	RH	ø2..ø20 (art. PER32 ER32)	art. GER32 ER32	HSK-63-F
APF-18050	180	50	63	RH	ø2..ø20 (art. PER32 ER32)	art. GER32 ER32	HSK-63-F



APF

Portautensili cono HSK tipo "F" EOC25

G2.5 36.000 g/min

Collet chucks HSK type "F" EOC25-G2.5 36.000 g/min

Spannzangenfutter HSK Typ "F" EOC25-G2.5 36.000 g/min



CODICE	L	D	D1	Rot	Pinze	Ghiera	CONO
APF-11560	115	60	63	RH	ø3..ø26 (art. POC25 EOC25)	art. GE0C25 EOC25	HSK-63-F
APF-20060	200	60	63	RH	ø3..ø26 (art. POC25 EOC25)	art. GE0C25 EOC25	HSK-63-F

